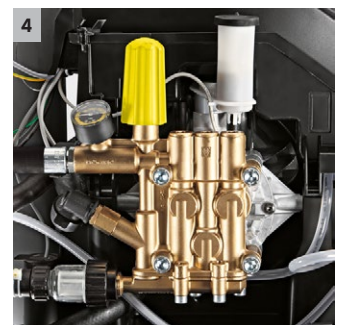




HDS 7/16 C

The 3-phase hot water high-pressure cleaner HDS 7/16 C in the compact class with eco!efficiency mode and many other practical functions.



1 Efficiency

- eco!efficiency mode – efficient and environmentally friendly, even when used for prolonged periods.
- Reduces fuel consumption and CO2 emissions by 20%.

2 Ease of use

- Intuitive operation thanks to the large single-button selector switch.
- Large tank opening with filling chute.

3 Storage

- Lockable accessory compartment for nozzles, tools, etc.
- Storage hooks for power cable and high-pressure hose.

4 Reliability

- The Soft Damping System (SDS) compensates for vibration and pressure peaks in the high-pressure system.
- Large water filter protects pump against damage.



Page 2
 5.Object
 page6152312115000_std_2_272x272px.jpg
 wurde anstatt
 PAGE6152312115000_std_2_272x272px.JPG
 plaziert.
 6.Object
 page6152312115001_std_1_272x272px.jpg
 wurde anstatt
 PAGE6152312115001_std_1_272x272px.JPG
 plaziert.

HDS 7/16 C

- Economical ecoefficiency mode
- Intuitive single-button selector switch
- Powerful three-phase motor

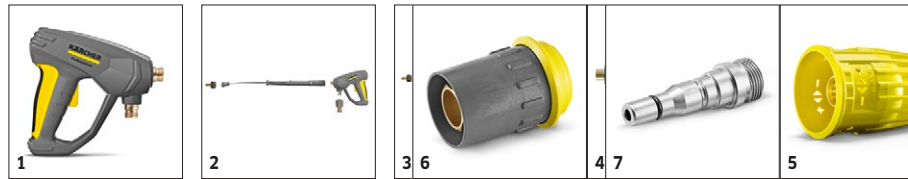
Technical data

Order no.	1.173-900.0	
EAN code	4054278167909	
Current type	Ph / V / Hz	3 / 400 / 50
Flow rate	l/h	270 - 660
Pressure	bar / MPa	30 - 160 / 3 - 16
Temperature (for supply 12 °C)	°C	max. 80
Connected load	kW	4.7
Consumption of heating oil or gas at full load	kg/h	4.1
consumption heating oil ecoefficiency	kg/h	3.3
Fuel tank	l	15
Number of simultaneous users	1	
Portability	cart	
Weight	kg	105.8
Dimensions (L × W × H)	mm	1060 × 650 × 920

Equipment

Spray gun	EASY!Force Advanced	
High-pressure hose	m	10 / DN 6, 250 bar
Spray lance	mm	1050
Power nozzle	■	
Soft Damping System (SDS)	■	
ANTI!Twist	■	
Pressure switch-off	■	
Integrated fuel and detergent tank	■	
Servo control	-	

■ Included in the scope of supply.



		Order no.	Flow rate			Price	Description	
Trigger guns								
EASY!Force Advanced	1	4.118-005.0					Effortless, not energy-sapping: the EASY!Force high-pressure gun uses the recoil force of the high-pressure jet to reduce the holding force for the operator to zero.	■
EASY!Force conversion kit 1 - from high-pressure hose	2	4.111-050.0					For retrofitting Kärcher high-pressure cleaners with existing high-pressure hose: EASY!Force conversion kit 1 with EASY!Force high-pressure gun, spray lance and all adapters through to the nozzle.	□
EASY!Force conversion kit 2 - from machine	3	4.111-051.0					Developed for retrofitting existing high-pressure cleaners from Kärcher: EASY!Force conversion kit 2 with EASY!Force high-pressure gun, spray lance, high-pressure hose and necessary adapters.	□
EASY!Force conversion kit 3 - high-pressure gun	4	4.111-052.0					Compatible with existing high-pressure hose and spray lance: EASY!Force conversion kit 3, incl. EASY!Force trigger gun and all necessary adapters for upgrading your high-pressure cleaner.	□
Servo control								
Servo Control controller with EASY!Lock	5	4.118-008.0	750 - 1100 l/h				Water quantity and pressure regulated directly from the hand spray gun.	□
Quick connect								
Quick coupling	6	2.115-000.0					For fast changes between different spray lances/accessories. Perfect for Kärcher spray unit, suitable for trigger gun/spray lance interface. With M 22 x 1.5 internal thread.	□
Male coupling	7	2.115-001.0					Hardened stainless steel male coupling for quick coupling 2.115-000. With M 22 x 1.5 external thread.	□

■ Included in the scope of supply. □ Available accessories.

Page 2

0400jet

page6152322322086_

std_01272x272px.jpg

konnte nicht platziert

WAR6152324112027_

std_01272x272px.jpg

page6152324112032_

std_01_272x272px.jpg

konnte nicht platziert

werden.



2



8



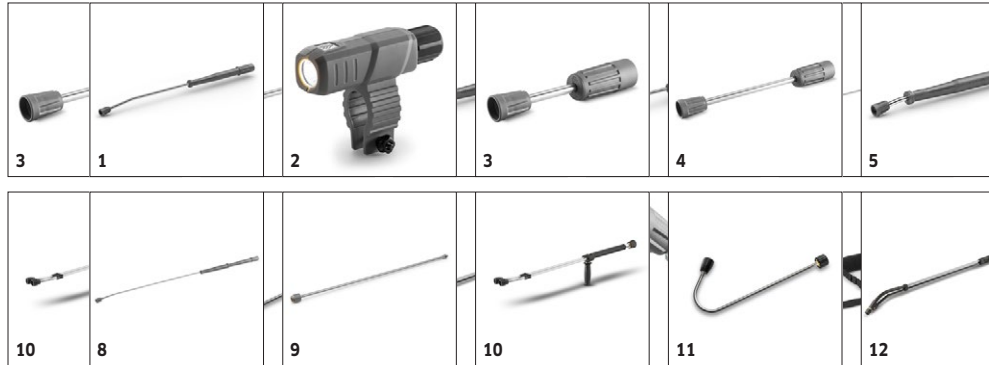
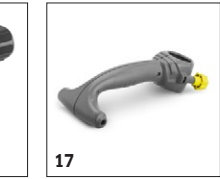
9

	Order no.	Max. working pressure	Length		Price	Description	
Rotating spray lances							
Spray lance	1	4.112-000.0	300 bar	1050 mm		1050 mm stainless steel lance (manual coupling) with ergonomic handle for ease of use and protection. Rotatable 360° under pressure.	■
LED nozzle light	2	2.680-002.0				Bright, lightweight LED work light for direct mounting on spray lance of EASY!Force high-pressure gun. Better view in unfavourable lighting conditions for up to 5 working hours.	□
Spray lance	3	4.112-027.0	300 bar	250 mm		Spray lance, 250 mm, rotatable, ergonomic	□
	4	4.112-024.0	300 bar	400 mm		Spray lance, 400 mm, rotatable, ergonomic	□
	5	4.112-007.0	300 bar	600 mm		600 mm stainless steel lance (manual coupling) with ergonomic handle for ease of use and protection. Rotatable 360° under pressure.	□
	6	4.112-006.0	300 bar	840 mm		850 mm stainless steel lance (manual coupling) with ergonomic handle for ease of use and protection. Rotatable 360° under pressure.	□
	7	4.112-018.0	300 bar	1550 mm		1550 mm stainless steel lance (manual coupling) with ergonomic handle for ease of use and protection. Rotatable 360° under pressure.	□
	8	4.112-021.0	300 bar	2050 mm		2050 mm stainless steel lance (manual coupling) with ergonomic handle for ease of use and protection. Rotatable 360° under pressure.	□
Spray lance extender	9	4.112-048.0	300 bar	1000 mm		Spray lance extension with EASY!Lock connection. Length 1000 mm.	□
Double lance							
Double lance	10	2.112-016.0	310 bar	960 mm		960 mm double lance for variable pressure adjustment on handle at full water flow rate. Suitable for agricultural use (e.g. stable cleaning).	□
Angular spray lance							
Spray lance for toilets and rain gutters	11	4.112-029.0				Stainless steel lance WC and gutter with nozzle insert. Specially shaped for effective and hygienic cleaning of gutters and toilets.	□
Flexible spray lance							
Flexible lance	12	4.112-035.0	210 bar	1050 mm		1050 mm flexible lance with variable bend from 20° to 140°, ideal for cleaning difficult to reach areas, e.g. gutters.	□
High pressure articulated joint	13	4.112-057.0	300 bar			For hard-to-reach areas: High-pressure articulated joint with infinite angle adjustment up to 120°. Simply attach directly to the spray lance of the pressure washer.	□
Telescopic spray lance							
Strap for telescopic spray pipe	14	6.373-987.0				Convenient strap for relief when working with the telescopic spray lance (6.394-690). The burden is optimally distributed on the body and longer periods of use are possible.	□
Gutter cleaner							
Gutter cleaning lance	15	2.112-015.0		960 mm		The lance is suited for cleaning of gutter systems. Because of the shape of the lance and the special nozzle the gutter can be cleaned without removing the cover plates.	□
Undercarriage spray lance							
Underbody lance	16	4.112-032.0		700 mm		Stainless steel lance for effective and easy underbody and wheel arch cleaning. Without high-pressure nozzle.	□

■ Included in the scope of supply. □ Available accessories.

HDS 7/16 C

1.173-900.0



		Order no.	Max. working pressure	Length		Price	Description
Additional handle							
Additional handle for EASY!Lock spray lances	17	4.321-380.0					Comfortable in every situation - the additional handle is easy to attach to the spray lance of our new EASY!Lock generation and makes work easier by allowing you to adjust your posture to suit the particular task. Regularly changing your posture relieves the strain on your body, making work more relaxed. Thanks to the 360°-rotatable spray lance, the additional handle can simply be fully rotated whilst working for greater flexibility.

■ Included in the scope of supply. □ Available accessories.

Page 2

5.Object

page6152296110024_
std_1_272x272px.jpg
wurde anstatt

PAGE6152296110024_
std_1_272x272px.JPG
plaziert. 1-4

6.Object

page6152296110069_
std_1_272x272px.jpg
wurde anstatt

PAGE6152296110069_
std_1_272x272px.JPG
plaziert.

		Order no.	Nozzle size				Price	Description	
Power nozzle spray angle 25°									
Power nozzle	1	2.113-021.0	40					Fan jet nozzle with 25° spray angle, suitable for large areas and removing stubborn dirt and stains.	<input checked="" type="checkbox"/>
HP nozzle spray angle 0°									
Power nozzle	2	2.113-001.0	40					High-pressure nozzle with powerful jet for extremely stubborn dirt.	<input type="checkbox"/>
Power nozzle spray angle 15°									
Power nozzle	3	2.113-045.0	40					Fan jet nozzle with 15° spray angle suitable for stubborn dirt.	<input type="checkbox"/>
Power nozzle spray angle 40°									
Power nozzle	4	2.113-003.0	40					Power nozzle with a 40° spray angle and fan jet, suitable for large areas and sensitive surfaces.	<input type="checkbox"/>

■ Included in the scope of supply. □ Available accessories.

HDS 7/16 C

1.173-900.0



	Order no.	ID	Max. working pressure	Length	Price	Description	
Standard with unions on both sides							
High-pressure hose 2 x EASY!Lock DN 6, 250 bar, 10 m, ANTI!Twist	1	6.110-035.0	DN 6	250 bar	10 m	10 m long high-pressure hose (DN 6) equipped with EASY!Lock manual screw fitting on both sides. Suitable up to 250 bar and with ANTI!Twist.	■
High-pressure hose, 2 x EASY!Lock, DN 6, 250 bar, 10 m	2	6.110-034.0	DN 6	250 bar	10 m	10 m long high-pressure hose with EASY!Lock manual screw fitting on both sides. Nominal size DN 6, suitable up to 250 bar.	□
High-pressure hose 2 x EASY!Lock DN 6, 300 bar, 10 m, ANTI!Twist	3	6.110-056.0	DN 6	300 bar	10 m	High-pressure hose (DN 6) equipped with ANTI!Twist and the new EASY!Lock manual screw fitting on both sides. For pressures up to 300 bar. 10 m long.	□
High-pressure hose 2 x EASY!Lock DN 8, 315 bar, 10 m, ANTI!Twist	4	6.110-031.0	DN 8	315 bar	10 m	High-pressure hose (DN 8) suitable up to 315 bar pressure. With innovative EASY!Lock manual screw fitting on both sides, ANTI!Twist and 10 m long.	□
High-pressure hose 2 x EASY!Lock DN 8, 315 bar, 15 m, ANTI!Twist	5	6.110-030.0	DN 8	315 bar	15 m	15 m long high-pressure hose, DN 8, with ANTI!Twist and time-saving EASY!Lock manual screw fitting on both sides.	□
High-pressure hose 2 x EASY!Lock DN 8, 315 bar, 20 m, ANTI!Twist	6	6.110-032.0	DN 8	315 bar	20 m	20 m long high-pressure hose (DN 8) equipped with the time-saving and robust EASY!Lock manual screw fitting on both sides. Approved for pressures up to 315 bar.	□
High-pressure hose, 2 x EASY!Lock, DN 8, 315 bar, 30 m, ANTI!Twist	7	6.110-014.0	DN 8	315 bar	30 m	Comfortable length (30 m) and innovative EASY!Lock manual screw fitting: High-pressure hose (DN 8) with ANTI!Twist for pressures up to 315 bar.	□
High-pressure hose, 2 x EASY!Lock, DN 10, 220 bar, 15 m	8	6.110-042.0	DN 10	220 bar	15 m	Equipped with innovative EASY!Lock manual screw fitting and suitable for pressures up to 220 bar: 15 m long high-pressure hose (DN 10).	□
High-pressure hose, 2 x EASY!Lock, DN 10, 220 bar, 20 m	9	6.110-043.0	DN 10	220 bar	20 m	20 m in length and the extremely time-saving and comfortable EASY!Lock manual screw fitting on both sides are some of the main features of this high-pressure hose (DN 10).	□
High-pressure hose, 2 x EASY!Lock, DN 10, 220 bar, 25 m	10	6.110-044.0	DN 10	220 bar	25 m	Impressive values and basic equipment: 25 m long high-pressure hose (DN 10) developed for pressures up to 220 bar.	□
High-pressure hose, 2 x EASY!Lock, DN 10, 220 bar, 40 m	11	6.110-045.0	DN 10	220 bar	40 m	40 m long high-pressure hose with EASY!Lock system for the time-saving manual screw connection (both sides). Nominal size (DN) 10, working pressure up to 220 bar.	□
High-pressure hose, 2 x EASY!Lock, DN 12, 210 bar, 15 m	12	6.110-059.0	DN 12	210 bar	15 m	Designed for working pressures up to 250 bar: High-pressure hose (DN 12) with a length of 15 m. Has the comfortable EASY!Lock manual screw fitting on both sides.	□
High-pressure hose, 2 x EASY!Lock, DN 12, 210 bar, 40 m	13	6.110-060.0	DN 12	210 bar	40 m	With EASY!Lock manual screw fitting and lots of room for manoeuvre thanks to 40 m in length: High-pressure hose (DN 12) with EASY!Lock manual screw fitting on both sides. Suitable for working pressures up to 250 bar.	□
High-pressure hose, 2 x EASY!Lock, DN 10, 220 bar, 10 m	14	6.110-041.0	DN 10	220 bar	10 m	Impressive values and basic equipment: 25 m long high-pressure hose (DN 10) developed for pressures up to 220 bar.	□
Longlife 400 with unions on both sides							
Longlife 400 high-pressure hose, 2 x EASY!Lock, DN 8, 400 bar, 1.5 m	15	6.110-024.0	DN 8	400 bar	1.5 m	1.5 m short high-pressure hose (DN 8). Comfortable EASY!Lock manual screw fitting on both sides for robust and quick connections. Durable and designed for up to 400 bar pressure.	□
Longlife 400 high-pressure hose, 1 x EASY!Lock, 1 x M22 x 1.5, DN 8, 400 bar, 1.5 m	16	6.110-069.0	DN 8	400 bar	1.5 m	30 m long high-pressure hose (DN 8) suitable for up to 400 bar pressure with double steel core. Connections: M 22 x 1.5, as well as the comfortable and quick EASY!Lock manual screw fitting.	□

■ Included in the scope of supply. □ Available accessories.



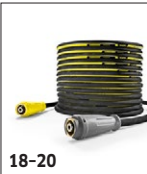
26



17



2-3



18-20

	Order no.	ID	Max. working pressure	Length	Price	Description	
Longlife 400 high-pressure hose, 2 x EASY!Lock, DN 8, 400 bar, 10 m, ANTI!Twist	17	6.110-038.0	DN 8	400 bar	10 m	Durable, 10 m long high-pressure hose (DN 8) with double steel core and EASY!Lock manual screw fitting on both sides and ANTI!Twist. Approved for 400 bar pressure.	<input type="checkbox"/>
Longlife 400 high-pressure hose, 2 x EASY!Lock, DN 8, 400 bar, 30 m, ANTI!Twist	18	6.110-023.0	DN 8	400 bar	30 m	Robust high-pressure hose with double steel core, ANTI!Twist and EASY!Lock manual screw fitting on both sides. Nominal size DN 8, 30 m long, for up to 400 bar pressure.	<input type="checkbox"/>
Longlife 400 high-pressure hose, 2 x EASY!Lock, DN 8, 400 bar, 20 m, ANTI!Twist	19	6.110-027.0	DN 8	400 bar	20 m	High-pressure hose with ANTI!Twist, EASY!Lock manual screw fittings and double steel core. 20 m long, nominal size DN 8, EASY!Lock manual screw fitting on both sides.	<input type="checkbox"/>
Longlife 400 high-pressure hose, 2 x EASY!Lock, DN 8, 400 bar, 15 m, ANTI!Twist	20	6.110-029.0	DN 8	400 bar	15 m	The double steel core ensures a particularly long life of this 15 m long high-pressure hose (DN 8), which is approved for pressures up to 400 bar.	<input type="checkbox"/>
Food industry version with unions on both sides							
High-pressure hose, food grade, 2 x EASY!Lock, DN 6, 15 m, ANTI!Twist	21	6.110-063.0	DN 6	250 bar	15 m	15 m long high-pressure hose (ID 6), food grade, with AVS hose reel connection, EASY!Lock hand screw connection and grey, non-marking outer covering.	<input type="checkbox"/>
Hose assembly TR hygiene DN8 25MPa 10m	22	6.110-051.0	DN 8	250 bar	10 m	High-pressure hose (ID 6), 10 m long, with grey, non-marking outer covering. Approved for use in the food industry. With quick and robust EASY!Lock hand screw connection at both ends.	<input type="checkbox"/>
High-pressure hose, food grade, 2 x EASY!Lock, DN 8, 20 m, ANTI!Twist	23	6.110-052.0	DN 8	250 bar	20 m	Suitable for use in food industry: 20 m long high-pressure hose (ID 8) with grey, non-marking outer covering, ANTI!Twist and EASY!Lock hand screw connections.	<input type="checkbox"/>
Longlife food design with screw connections at both ends							
Longlife 400 high-pressure hose, food grade, 2 x EASY!Lock, DN 8, 10 m, ANTI!Twist	24	6.110-053.0	DN 8	400 bar	10 m	With blue, non-marking and animal fat resistant outer covering: durable high-pressure hose (ID 8), 10 m long, ANTI!Twist and EASY!Lock hand screw connection at both ends.	<input type="checkbox"/>
Longlife 400 high-pressure hose, food grade, 2 x EASY!Lock, DN 8, 20 m, ANTI!Twist	25	6.110-054.0	DN 8	400 bar	20 m	Durable high-pressure hose with double steel reinforcement and blue, non-marking and animal fat resistant outer covering. 20 m long with EASY!Lock hand screw connections.	<input type="checkbox"/>
Special hoses							
High-pressure hose, 1 x curved EASY!Lock, 1 x M22 x 1.5, DN 8, 400 bar, 1.5 m	26	6.110-068.0	DN 8	400 bar	1.5 m	For connection to hose reels: high-pressure hose, with M 22 x 1.5 connection and curved EASY!Lock hand screw connection. 1.5 m long, suitable for up to 400 bar working pressure.	<input type="checkbox"/>

■ Included in the scope of supply. □ Available accessories.

HDS 7/16 C 1.173-900.0



		Order no.	Max. working pressure	Nozzle size		Price	Description	
Dirt blaster, large								
Dirt blaster	1	4.114-041.0	300 bar	40			The dirt blaster with rotating pencil jet offers 10 times better cleaning performance. Ceramic nozzle and bearing ring for a long service life. Further data: Max. 300 bar, 30 MPa, 85°C.	<input type="checkbox"/>
Angled vario nozzle 0-90°								
Angled Vario nozzle	2	4.113-006.0		80			Variable angle nozzle for spray angle adjustment from 0° to 90°. For easy adjustment to all kinds of soiling and surfaces.	<input type="checkbox"/>

■ Included in the scope of supply. □ Available accessories.

Page 2

540 Object

page61527344763033_

std_1_272x272px.jpg kon-

wurde nicht platziert werden.

Page 2

page61527344763033_

std_1_272x272px.jpg kon-

wurde nicht platziert werden.

Page 2

page61527344763033_

std_1_272x272px.jpg kon-

wurde nicht platziert werden.

Page 2

page6152734411036_

std_1_272x272px.jpg kon-

nte nicht platziert werden.

18.Object

page6152734111046_



2



10

		Order no.					Price	Description	
Nozzle union									
Nozzle screws	1	4.112-011.0						Nozzle screws with protectors for high-pressure and power nozzles	<input type="checkbox"/>
Cleaning agent injector									
Cleaning agent injector for high and low pressure (without nozzles)	2	4.637-032.0						Detergent injector for independent high and low pressure dosage. Maximum dosage about 15%.	<input type="checkbox"/>
Cleaning agent injector for high pressure (without nozzle)	3	4.637-033.0						Cleaning agent dosage at high pressure 3 - 5 %	<input type="checkbox"/>
Machine-specific nozzle kit with order no. 4.637-033.0									
Nozzle kit 750-1000 l/h	4	4.769-011.0						For HD/HDS 750 - 1000 l/h. Consists of nozzle insert + HP power nozzle + union	<input type="checkbox"/>
Nozzle insert with order no. 4.637-032.0									
Nozzle insert up to 1,100 l/h - high pressure	5	4.769-003.0						Nozzle insert for detergent injector 3.637-001 for high-pressure detergent application. For high-pressure cleaners with a water flow rate up to 1100 l/h.	<input type="checkbox"/>
Nozzle insert up to 1,100 l/h - low pressure	6	4.769-001.0						For low pressure with machines up to 1.100 l/h	<input type="checkbox"/>
Rotary coupling									
Rotary coupling	7	4.111-021.0						Reliably prevents twisting of HP hoses. Connection M 22 x 1.5 m. Handle protection	<input type="checkbox"/>
Coupling									
Adapter hose extension 9 TR	8	4.111-037.0						Adapter 9 to connect the new hose with the new hose	<input type="checkbox"/>
Connector									
Screw socket for surface cleaners and Servo Control controllers	9	4.111-022.0						For attaching high-pressure nozzles and accessory parts to the HD trigger gun (with nozzle screws) - 1 x M 22 x 1.5/1 x M 18 x 1.5.	<input type="checkbox"/>
Y distributor	10	4.111-024.0						Offers the option to connect two spray units to the machine. Installation on the high pressure outlet.	<input type="checkbox"/>
Short spray unit	11	4.111-038.0						For attaching high-pressure nozzles and accessory parts to HP trigger gun (with nozzle screws). Not compatible with triple nozzles.	<input type="checkbox"/>
EASY!Lock adapter									
Adapter 1 M22AG-TR22AG	12	4.111-029.0						Adapter 1 to connect the old hose with the new hose	<input type="checkbox"/>
Adapter 2 M22IG-TR22AG	13	4.111-030.0						Adapter 2 to connect the old device with the new hose and the old gun with the new hose	<input type="checkbox"/>
Adapter 3 M22IG-TR22AG	14	4.111-031.0						Adapter 3 to connect the old gun with the new spray lance and new servo regulator	<input type="checkbox"/>
Adapter 4 TR22IG-D11	15	4.111-032.0						Adapter 4 to connect the new gun with the old swivel hose	<input type="checkbox"/>
Adapter 5 TR22IG-M22AG	16	4.111-033.0						Adapter 5 to connect the new gun with the old spray lance and new servo regulator with the old spray lance	<input type="checkbox"/>
Adapter 6 TR22IG-M22AG	17	4.111-034.0						Adapter 6 to connect the new device with the old hose and the old hose with the new gun	<input type="checkbox"/>
Adapter 7 M18IG-TR20AG	18	4.111-035.0						Adapter 7 to connect the old spray lance with the new nozzle	<input type="checkbox"/>
Adapter 8 TR20IG-M18AG	19	4.111-036.0						Adapter 8 to connect the new spray lance with the old nozzle	<input type="checkbox"/>
Adapter 12 rotary coupling EASY!Lock 22 IG - M22 x 1.8 AG	20	4.111-046.0						Rotatable adapter for connecting EASY!Force high-pressure gun and high-pressure hoses with M 22x1.5 connection	<input type="checkbox"/>
Flue pipe									
Flue gas adapter	21	4.656-149.0						Flue gas adapter with draught damper for flue pipe connection (adapter for HDS burners for connection to a stack system).	<input type="checkbox"/>
	22	4.656-080.0							<input type="checkbox"/>

■ Included in the scope of supply. □ Available accessories.



		Order no.	Max. working pressure	Nozzle size	Diameter	Price	Description	
Pipe cleaning hose, ID 6								
Pipe cleaning hose, ID 6, 10 m, max. 250 bar	1	6.110-046.0	250 bar				The 10 m pipe cleaning hose is a highly flexible high pressure hose for pipe interior cleaning (threaded connection for nozzle R 1/8).	<input type="checkbox"/>
Pipe cleaning hose, ID 6, 20 m, max. 250 bar	2	6.110-008.0	250 bar				The 20 m pipe cleaning hose is a highly flexible high pressure hose for pipe interior cleaning (threaded connection for nozzle R 1/8).	<input type="checkbox"/>
Pipe cleaning hose, ID 6, 30 m, max. 250 bar	3	6.110-047.0	250 bar				The 30 m pipe cleaning hose is a highly flexible high pressure hose for pipe interior cleaning (threaded connection for nozzle R 1/8).	<input type="checkbox"/>
Pipe cleaning nozzle								
Pipe cleaning dirt blaster D21/040	4	4.765-001.0		40	21 mm		The forward-tilted rotating pencil jet removes the most stubborn dirt. The three backwards-tilted jets ensure the necessary forward movement, as well as convenient handling.	<input type="checkbox"/>
Pipe cleaning dirt blaster D30/040	5	4.765-004.0		40	30 mm			<input type="checkbox"/>
Pipe cleaning nozzle 120	6	5.763-089.0		120	24 mm		Pipe cleaning nozzle with 24 mm diameter. With 8 nozzles tilted back at a 30° angle.	<input type="checkbox"/>
Pipe cleaning nozzle	7	5.763-015.0		55	16 mm		16 mm pipe cleaning nozzle with internal thread. Various jet directions for environmentally-friendly cleaning of blocked drains and pipes.	<input type="checkbox"/>
	8	5.763-016.0		60	16 mm			<input type="checkbox"/>
	9	5.763-017.0		50	30 mm			<input type="checkbox"/>
Rotating pipe cleaning nozzle	10	6.415-440.0		65	16 mm		Rotating pipe cleaning nozzle with internal thread and four rotating jets for environmentally-friendly cleaning of blocked drains and pipes.	<input type="checkbox"/>
Drum and tank cleaning								
Add-on kit mud sucker	11	2.641-798.0					For connection to the high-pressure hose of Kärcher high-pressure cleaners: Powerful sludge suction cleaner for the retrofitting of high-pressure cleaners to dirt pumps.	<input type="checkbox"/>
Barrel and tank cleaning								
Barrel cleaner BC 14/12	12	2.112-020.0					The BC 14/12 barrel cleaner is a spray unit for the interior cleaning of containers and barrels - especially oak barrels with a capacity of between 225 and 600 litres.	<input type="checkbox"/>

■ Included in the scope of supply. □ Available accessories.

Page 2

5.Object

page6152702112008_std_1_272x272px.jpg wurde anstatt

PAGE6152702112017_std_1_272x272px.JPG plziert.¹

6.Object

page6152702112010_std_3_272x272px.jpg wurde anstatt

PAGE6152692642430_std_1_272x272px.JPG plziert.⁸



		Order no.	Flow rate	Nozzle size	Diame-ter	Price	Description	
Hard Surface Cleaner FRV 30								
Hose fastening attachment kit	1	2.642-528.0					Suction cup for fixing the suction hose to smooth surfaces.	<input type="checkbox"/>
Dirt trap attachment kit	2	2.642-532.0					Galvanised steel bucket for collecting coarse dirt and for fixing the suction hose in outside areas.	<input type="checkbox"/>
FR 30 Me surface cleaner								
Hard Surface Cleaner FR 30 Me	3	2.111-013.0			300 mm		Hot water resistant stainless steel surface cleaner with double ceramic bearings, non-marking swivel castors and suction hose connection. Ideal for indoor cleaning, e.g. food industry.	<input type="checkbox"/>
Hard Surface Cleaner FR 50								
Surface Cleaner FR 50 Me	4	2.111-023.0			500 mm		Hot water resistant stainless steel surface cleaner with 500 mm working width. Ideal for large areas. With double ceramic bearings, push handle, non-marking swivel castors and detergent dosing system.	<input type="checkbox"/>
Machine-specific nozzle kits for FR								
Nozzle kit for surface cleaners	5	2.639-187.0	650 - 850 l/h				Nozzle kit includes power nozzles and unions. For Kärcher surface cleaners (650 to 850 l/h).	<input type="checkbox"/>
Machine-specific nozzle kits for FRV								
Nozzle kit 045 - for FRV	6	2.642-432.0		45			Machine-specific nozzle kit with Kärcher power nozzles and jet nozzle for FRV 30.	<input type="checkbox"/>
FRV 30 Me surface cleaner								
Extension hose FRV 30 Me and FRV 50 Me	7	4.441-040.0					5 m extension hose for FRV 30 Me. Includes connecting adapter.	<input type="checkbox"/>
FRV 30 Me Surface Cleaner	8	2.111-012.0					Thanks to automatic suction of the dirty water, the stainless steel FRV 30 Me Surface Cleaner makes surface cleaning more efficient in both inside and outside areas. Hot water cleaning up to 85°C.	<input type="checkbox"/>

■ Included in the scope of supply. □ Available accessories.



		Order no.	Flow rate				Price	Description	
Cup foam lance									
Cup foam lance Basic 2	1	4.112-054.0	700 - 800 l/h					Newly developed, very robust Basic 2 cup foam lance especially for high-pressure cleaners with a flow rate of 700-800 l/h. For excellent foam quality with half the cleaning agent consumption.	<input type="checkbox"/>
1-litre cleaning agent container for basic foam lance	2	5.071-414.0							<input type="checkbox"/>
Cup foam lance Advanced 025	3	2.112-017.0	max. 1300 l/h					Short, handy foam lance with adjustable spray angle with 1 litre detergent tank. Ideal for cleaning cars due to its compact design.	<input type="checkbox"/>
1-litre cleaning agent container for advanced foam lance	4	6.414-050.0						Additional 1-litre cleaning agent container for quick replacement of the cleaning agent (for foam lance 2.112-017.0 and 2.112-018.0).	<input type="checkbox"/>
Inno Foam Kit									
Inno Foam Set with detergent injector	5	2.112-000.0						High-pressure foam system with double lance (foam nozzle and high-pressure jet for rinsing). For use with mobile and stationary high-pressure and HDS pressure cleaners for cleaning or disinfection.	<input type="checkbox"/>
Inno Foam Set	6	2.112-008.0							<input type="checkbox"/>
Easy Foam Set									
Easy Foam Set with RM injector	7	2.112-010.0						HP foam system for use with HD/HDS units for cleaning and disinfecting. Foam nozzle for connection to lance and HP chemical injector with precision 0-5% metering valve. The machine specific nozzle kit has to be ordered separately.	<input type="checkbox"/>
Easy Foam Set	8	2.112-011.0							<input type="checkbox"/>
Nozzle kits for Inno/Easy Foam Set									
Nozzle kit 090 for Inno / Easy Set 700-1,000 l/h	9	2.111-019.0	700 - 1000 l/h					Nozzle kit contains Kärcher power nozzles and nozzle inserts. For Inno/Easy-Foam set 700-1000 l/h. For optimal foam system performance.	<input type="checkbox"/>
Foam nozzle mounting kit									
Foam nozzle attachment kit	10	2.112-013.0						Foaming agent kit. The foam nozzle is ideal for use in sanitary areas and the food industry and wherever long application times are necessary.	<input type="checkbox"/>

■ Included in the scope of supply. □ Available accessories.

Page 2

5.Object

page8901564762611_

std_01_272x272px.jpg

wurde an

PAGE8901564762611_

std_1_272x272px.JPG

plaziert. 1

6.Object

page8901564761547

std_01_272x272px.jpg

wurde an

PAGE6152566391421_

std_1_272x272px.JPG

plaziert. 9



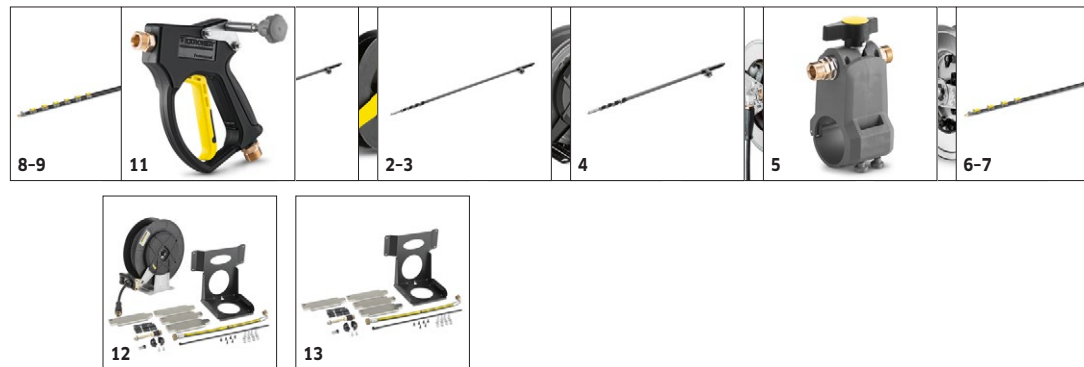
3



10-11

		Order no.	Length				Price	Description	
Manual hose reel attachment kit									
Hose reel attachment kit, plastic, for HDS compact class	1	2.110-010.0	20 m					Hose reel attachment kit for installation on the machine. For secure and space-saving storage of the high-pressure hoses (with a connection hose for the machine high-pressure outlet). Rotatable under pressure with connection for male coupling.	<input type="checkbox"/>
Automatic, self-winding hose reels for wall mounting									
Automatic plastic hose reel incl. high-pressure hose	2	2.639-257.0	15 m					Spring-mounted and ready-to-use automatic hose reel for wall mounting. Simplifies handling of the high-pressure hose, shortens set-up times and increases occupational safety.	<input type="checkbox"/>
Automatic hose reel, powder-coated steel / plastic	3	6.392-074.0	20 m					Automatic hose reel for 20 m high-pressure hose. The console is made from powder-coated steel, the drum is made from plastic.	<input type="checkbox"/>
Automatic stainless steel / synthetic material hose drum	4	6.392-083.0	20 m					Automatic hose reel for 20 m high-pressure hose. The console consists of stainless steel, the drum is made from plastic.	<input type="checkbox"/>
Automatic hose reel, coated	5	6.392-106.0	20 m					Automatic hose reel of durable plastic. Painted steel bracket. Suitable for 20 m high-pressure hose.	<input type="checkbox"/>
Hose reel, automatic, basalt grey-coated	6	6.392-105.0	20 m					Automatic hose reels provide the highest level of safety and convenience for winding and unwinding HP hoses. For example: order no. 6.110-011.0 (ID 8, 20 m, 315 bar) or order no. 6.110-028.0 (ID 8, 20 m, 400 bar Longlife).	<input type="checkbox"/>
Automatic hose reel, stainless steel, includes swivel holder	7	6.392-076.0	20 m					Automatic stainless steel hose reel. With swivel holder. Suitable for 20 m high-pressure hose.	<input type="checkbox"/>
Automatic stainless steel hose reel	8	6.392-122.0	20 m					High-grade, automatic steel hose reel. Especially suitable for use in the food industry. The material and finish provide for a corrosion-resistant, watertight capsuled sprong drive. Connection for HP hoses with nipple.	<input type="checkbox"/>
	9	6.392-442.0	40 m					Automatic hose reels provide the highest level of safety and convenience for winding and unwinding HP hoses. Compatible high-pressure hose, e.g. order no. 6.110-076.0 (ID 8, 40 m, 400 bar, 1x hose reel connection attachment kit).	<input type="checkbox"/>
Powder-coated swivel holder	10	2.639-931.0						Swivel holder for automatic hose reel wall mounting. For maximum action radius and flexibility of high-pressure hose. Rotatable 120°. Galvanised steel.	<input type="checkbox"/>
Stainless steel swivel holder	11	2.641-867.0						Swivelling wall bracket made of high-grade steel (for 2.641-866). This makes maximum flexibility and convenience possible when working with the HP hose.	<input type="checkbox"/>
Automatic, self-winding hose reel attachment kit									
ABS automatic hose reel HDS C	12	2.110-012.0						Complete automatic hose reel attachment kit for HDS compact class. Simple installation and all unit functions are accessible. Offers maximum convenience when winding and unwinding the HP hose. Contains: Automatic hose reel, HP hose and all connection parts.	<input type="checkbox"/>
ABS holder, automatic hose reel HDS C	13	2.110-013.0						Holder includes connection material for installing an automatic hose reel to machines from the HDS compact class.	<input type="checkbox"/>

■ Included in the scope of supply. □ Available accessories.



		Order no.	Flow rate	Inlet temperature	Length	Length	Price	Description	
Teleskopstangen									
iSolar TL 14 C (without hose)	1	4.110-002.0		max. 60 °C				Full carbon telescopic rod for maximum rigidity with minimal weight. With 14 m max. reach and practical quick-release couplings for easy extension and retraction.	<input type="checkbox"/>
iSolar TL 10 C (without hose)	2	4.110-007.0		max. 60 °C				The full carbon telescopic lance offers maximum rigidity with minimal weight. It has a reach of up to 10 m and is fitted with practical quick-release couplings - for convenient extension and retraction. The speed is regulated via ball tap, guaranteeing easy handling. For occupational safety reasons, the lowest lance element is made from a carbon-fibre-glass mixture for electrical insulation.	<input type="checkbox"/>
iSolar TL 10 H (without hose)	3	4.110-003.0		max. 60 °C				Telescopic rod made from a carbon/fibreglass mixture for maximum rigidity with minimum weight. With 10 m max. reach and practical quick-release couplings for easy extension and retraction.	<input type="checkbox"/>
iSolar TL 7 H (without hose)	4	4.110-004.0		max. 60 °C				Telescopic rod made from a carbon/fibreglass mixture for maximum rigidity with minimum weight. With 7.2 m max. reach and practical quick-release couplings for easy extension and retraction.	<input type="checkbox"/>
TL low pressure adapter	5	4.580-097.0		max. 40 °C				TL low-pressure adapter comprising ball valve for tool-free installation on telescopic lances. Ideal for applications with rotating high-pressure brushes.	<input type="checkbox"/>
Telescopic lance TL 7 F	6	4.762-609.0		max. 60 °C				Telescopic lance TL 7 F with up to 7 m reach made from robust and lightweight glass fibre. With practical quick-release fasteners for simple retraction and extension.	<input type="checkbox"/>
Telescopic lance TL 7 H	7	4.762-610.0		max. 60 °C				Multifunctional hybrid telescopic lance TL 7 H made of rigid and lightweight carbon-glass fibre mix. Telescopic thanks to quick-release fastenings. Up to 7 m reach.	<input type="checkbox"/>
Telescopic lance TL 10 H	8	4.762-611.0		max. 60 °C				Up to 10 m reach: hybrid telescopic lance TL 10 H. Comprising carbon-glass fibre mix and suitable for multifunctional use. Simple retraction and extension thanks to quick-release fasteners.	<input type="checkbox"/>
Telescopic lance TL 10 C	9	4.762-612.0		max. 60 °C				Carbon fibre telescopic lance TL 10 C. With up to 10 m reach and practical quick-release fasteners. Multifunctional use for cleaning facades, windows or solar panels.	<input type="checkbox"/>
Telescopic lance TL 14 C	10	4.762-613.0		max. 60 °C				Maximum rigidity with minimum weight: telescopic lance TL 14 C made from carbon fibre. Enormous reach of 14 m, multifunctional use and easy to use thanks to quick-release fasteners.	<input type="checkbox"/>
TL high pressure adapter	11	4.775-154.0		max. 60 °C				TL high-pressure adapter, flexible high-pressure gun for high-pressure cleaning with telescopic lances. Ergonomic, easy to install, suitable for right- and left-handed individuals.	<input type="checkbox"/>

■ Included in the scope of supply. □ Available accessories.

HDS 7/16 C

1.173-900.0

KÄRCHER



		Order no.	Flow rate	Inlet temperature	Length	Length	Price	Description	
Schläuche									
iSolar HP hose 7	1	6.392-978.0		max. 155 °C				High-quality, flexible HP hose (with rubber covering) for the iSolar TL 7. The outer layer has especially good sliding properties when extending and retracting the telescopic rod.	<input type="checkbox"/>
iSolar HP hose 10	2	6.392-977.0		max. 155 °C				High-quality, flexible HP hose (with rubber covering) for the iSolar TL 10. The outer layer has especially good sliding properties when extending and retracting the telescopic rod.	<input type="checkbox"/>
iSolar HP hose 14	3	6.392-976.0		max. 155 °C				High-quality, flexible HP hose (with rubber covering) for the iSolar TL 14. The outer layer has especially good sliding properties when extending and retracting the telescopic rod.	<input type="checkbox"/>

■ Included in the scope of supply. □ Available accessories.



		Order no.	Nozzle size				Price	Description	
Wet blasting attachment (without nozzle)									
Wet blasting attachment with flow control (without nozzles)	1	4.115-000.0						Paint, rust and scale removal made easy: Kärcher wet blasting attachment with flow control for adding blasting abrasive to the high-pressure jet.	<input type="checkbox"/>
Wet blasting attachment without flow control (nozzles not included)	2	4.115-006.0						Paint, rust and scale removal made easy: Kärcher wet blasting attachment with flow control for adding blasting abrasive to the high-pressure jet. Without flow control.	<input type="checkbox"/>
Nozzle kits for wet jet unit									
Nozzle kit for wet jet unit 040	3	2.112-019.0	40					Nozzle kit with wet blasting nozzle and nozzle insert (type specific). For optimal Kärcher wet blasting attachment performance. Only in combination with wet blasting attachment 4.115-000.0 4.115-006.0.	<input type="checkbox"/>
Boron carbide nozzle									
Boron carbide nozzle, for machines up to 1,000 l/h	4	6.415-084.0	6 mm					In addition to nozzle packs. Very wear-resistant nozzle with boron carbide chuck for continuous-duty operation.	<input type="checkbox"/>

■ Included in the scope of supply. □ Available accessories.

Page 2

5.Object

page6152722637691_ std_1_272x272px.jpg wurde anstatt

PAGE6152722637691_ std_1_272x272px.JPG plaziert.¹

6.Object

page6152724440038_ std_1_272x272px.jpg wurde anstatt

PAGE6152724440038_ std_1_272x272px.JPG plaziert.



		Order no.					Price	Description	
Attachment kit for transport									
Crane loading attachment kit for HDS compact class	1	2.642-638.0						Effortless loading by crane.	<input type="checkbox"/>
Flame monitoring attachment kit									
Flame monitoring attachment kit for HDS Compact Class	2	2.642-711.0						A light sensor monitors the burner flame. The fuel supply is shut off if the flame goes out.	<input type="checkbox"/>

■ Included in the scope of supply. □ Available accessories.



		Order no.					Price	Description	
Geka coupling									
Geka connector with hose barb, R 1/2"	1	6.388-461.0						with hose liner	<input type="checkbox"/>
Geka connector with hose barb, R 3/4"	2	6.388-455.0							<input type="checkbox"/>
Geka connector with hose barb, R 1"	3	6.388-465.0						with hose barb	<input type="checkbox"/>
Geka connector with internal thread, R 1"	4	6.388-458.0						with female thread	<input type="checkbox"/>
Suction filter									
Water suction filter	5	6.414-956.0						Suitable for ponds, storage tanks or similar, polyamide filter casing, stainless steel strainer, 800 µm mesh, R 3/4" and R 1" connection, without non-return valve	<input type="checkbox"/>
Suction filter with check valve	6	4.730-012.0						Brass suction filter suitable for ponds, storage tanks, etc. With check valve.	<input type="checkbox"/>
Water fine filter									
Universal water fine filter, 25 µm	7	2.637-020.0						Fine-mesh water filter, 25 µm, max. temperature 50°C. Protects the high-pressure cleaner from dirt particles contained in the water. Water flow rate up to 1200 l/h. Connection 3/4", with adapter, 1".	<input type="checkbox"/>
Water fine filter, with adapter	8	4.730-102.0						Fine-mesh water filter, 125 µm, max. temperature 50°C. Protects the high-pressure cleaner from dirt particles contained in the water. Water flow rate up to 1200 l/h. Connection 3/4", with adapter, 1".	<input type="checkbox"/>
Water fine filter, 100 µm, R 1"	9	2.638-270.0						Fine-mesh water filter, 100 µm, max. temperature 60°C. Connects to high-pressure cleaner. Protects the high-pressure cleaner from dirt particles contained in the water. Water flow rate up to 1200 l/h. Connector 1".	<input type="checkbox"/>
Water supply hose									
Water supply hose	10	4.440-038.0						NW 13 R1" / R 3/4", up to 30 °C	<input type="checkbox"/>
	11	4.440-207.0						NW 19 R1" / R 3/4", up to 85 °C, for pick-up	<input type="checkbox"/>
Backflow check valve									
Backflow preventer	12	2.641-374.0						To prevent detergent getting into the drinking water cycle in case of inlet at low-pressure. - hot water resistant up to 80 °C - tested according to IEC 60335-2-79 - integrated leakage protection	<input type="checkbox"/>

■ Included in the scope of supply. □ Available accessories.

Page 1

2.Object

page6152354113003_
std_1_272x272p.jpg

wurde anstatt

PAGE6152354113003_
std_1_272x272p.JPG

plaziert.¹



3



2

		Order no.	Flow rate				Price	Description	
Push-on washing brush									
Push-on wash brush	1	4.113-001.0						For general-purpose cleaning of all surfaces. Clamps directly onto the spray lance. Connection M 18 x 1.5	<input type="checkbox"/>
Rotating washing brush									
Rotating wash brush for < 800 l/h machines, nylon bristles	2	4.113-004.0	500 - 800 l/h					The rotating wash brush gently removes fine dust and traffic film from all surfaces. Temperature resistant up to 60°C. (M 18 x 1.5, replaceable brush insert).	<input type="checkbox"/>
Rotating wash brush for < 800 l/h machines, natural bristles	3	4.113-003.0	500 - 800 l/h					Driven by water stream. Gently removes fine dust and traffic film from any surface. Temperature resistant up to 60°C, M 18 x 1.5 (replaceable brush insert).	<input type="checkbox"/>

■ Included in the scope of supply. □ Available accessories.